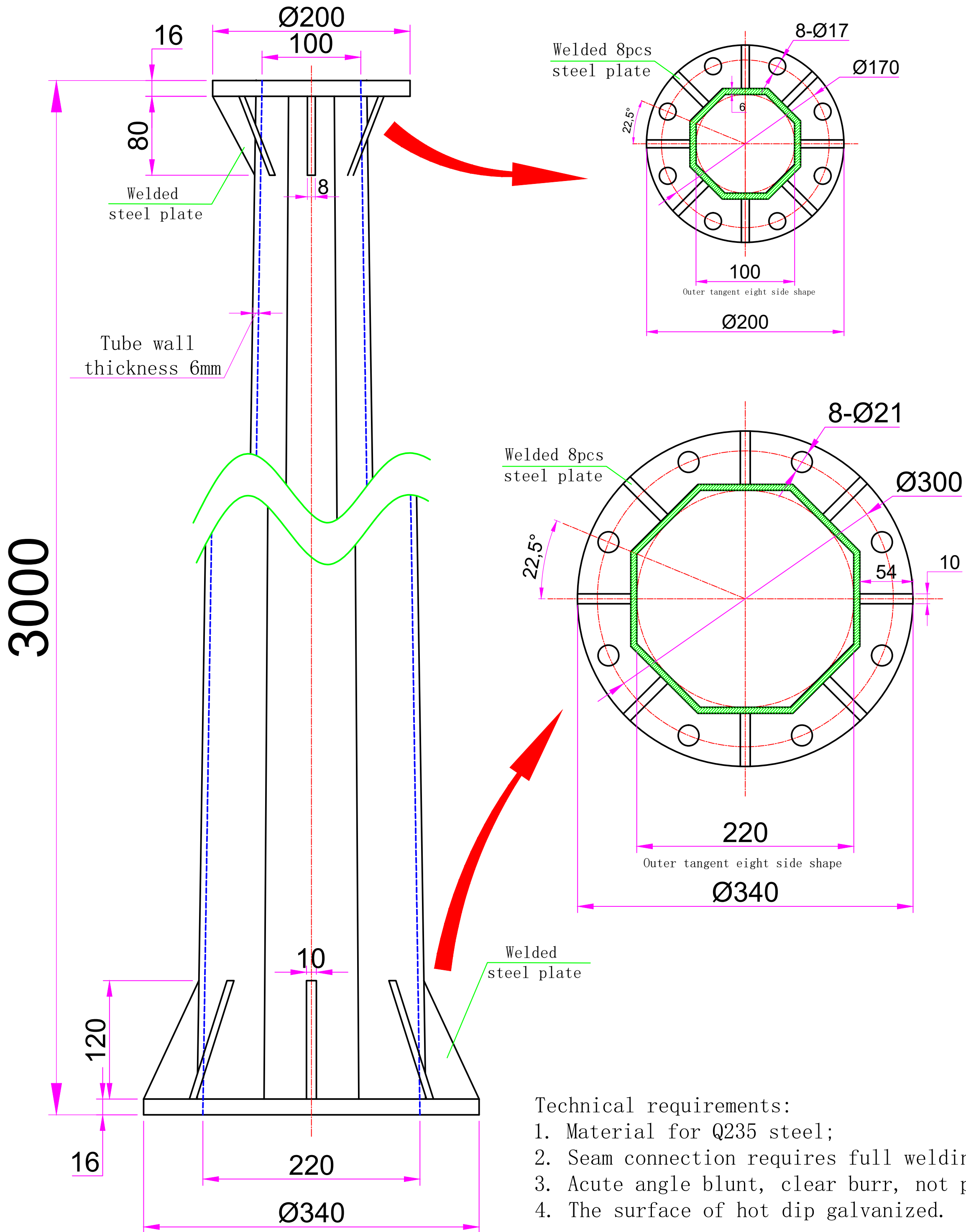


Remark: The length of the tower tapered tube is 6m,  
 Tube wall thickness is 6mm,



Technical requirements:

1. Material for Q235 steel;
2. Seam connection requires full welding;
3. Acute angle blunt, clear burr, not pouring fillet R1;
4. The surface of hot dip galvanized.

TOWER Figure 1-2

\* The drawing is only for reference, please make the object as the standard.

|                      |           |                             |          |          |
|----------------------|-----------|-----------------------------|----------|----------|
| <b>ENERGIE TICHE</b> | ITEM NO.  | GH-3KW: 6m FREE STAND TOWER |          |          |
|                      | STYLE NO. | TOWER                       |          |          |
|                      | SCALE     |                             | DESIGNED |          |
|                      | DRG. NO   |                             | CHECKED  |          |
| SHEET                | 1 / 2     | DATE                        | 2021.02  | APPROVED |